

# bosal

## Инструкция по монтажу тягово-цепного устройства шарового типа 6309 А для автомобилей **Subaru Outback**

|  |          |
|--|----------|
|  | 2010-... |
|  | 1500     |
|  | 75       |
|  |          |
|  | 17       |



462800,

« - »

18

т. (35363) 7-05-06

факс: (35363) 7-13-20

(495) 799-13-46

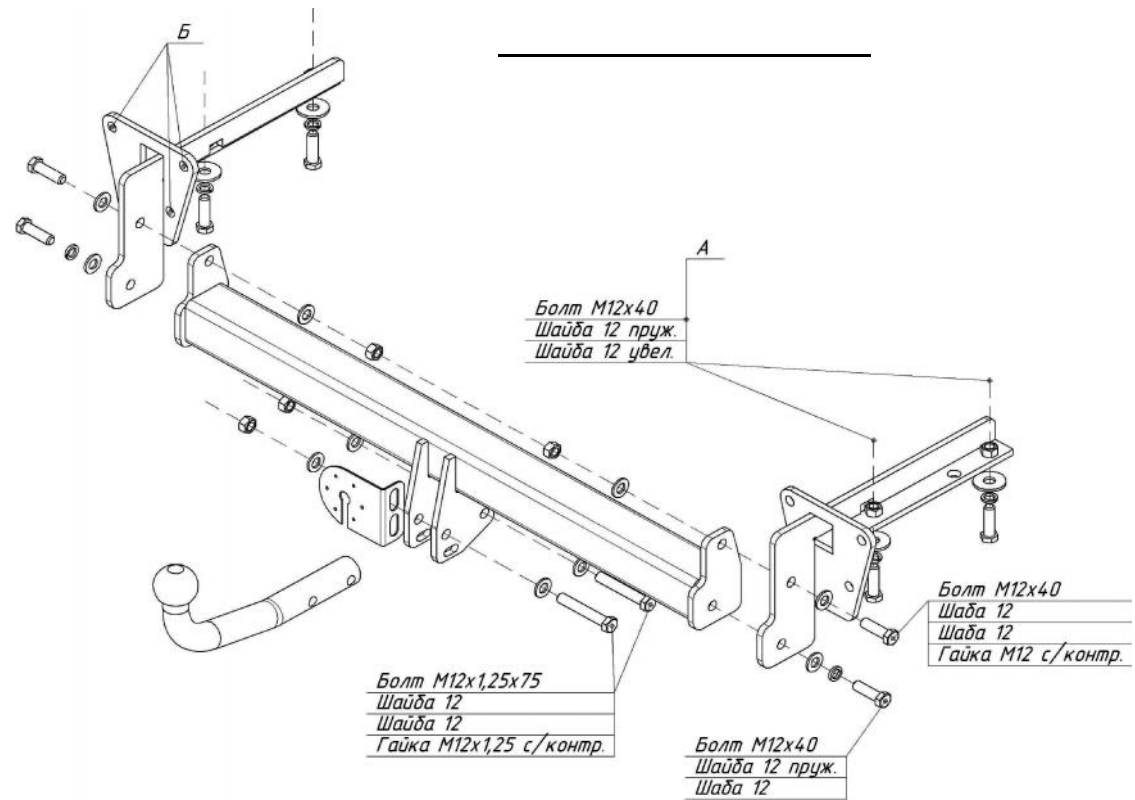
www.bosal-autoflex.ru

www.bosal.com

|       |                               |
|-------|-------------------------------|
| « - » | (8182) 22-48-15               |
| "     | " 8(8442) 98-74-98            |
| "     | " 8(343) 379-39-89, 373-42-73 |
| "     | " 8(343) 26-88-308            |
| "     | " 8(3952) 710-194             |
| "     | " 8(495) 777-54-59            |
| "     | " 8(495) 745-79-11            |
| "     | " 8(495) 788-95-97            |
| "     | " 8(495) 720-51-03            |
| "     | " 8(3532) 57-99-85            |
| "     | " 8-905-899-5012              |
| "     | " 8(383) 291-59-60            |
| "     | " 8(831) 279-53-24            |
| "     | " 8(3422) 98-27-20            |
| "     | " 8(342) 220-87-87            |
| "     | " 8-927-002-90-06             |
| "     | " 8(3462) 24-00-44            |
| "     | " 8(3842) 21-14-76            |
| "     | " 8-902-940-4151              |
| "     | " 8(3452) 32-22-12, 41-52-62  |
| "     | " 8-961-213-0278              |
| "     | " 8-917-347-1700              |
| "     | " 8(351) 269-44-75, 900-72-73 |
| "     | " 8(3512) 773-76-91           |

41.55-2005.

( )  
 « » 12 40 . « »  
 ,( ) .



|  |     |
|--|-----|
|  |     |
|  | 1 . |
|  | 1 . |
|  | 1 . |
|  | 1 . |
|  | 1 . |

|            |      |
|------------|------|
| 4          | 3 .  |
| 4          | 3 .  |
| 4          | 3 .  |
| 4 35       | 3 .  |
| 12 40      | 8 .  |
| 12 1,25 75 | 2 .  |
| 12         | 2 .  |
| 12 1,25    | 2 .  |
| 12         | 6 .  |
| 12         | 4 .  |
| 12         | 10 . |
|            | 1 .  |
| VH0159     | 1 .  |
|            | 1 .  |
| 190        | 1 .  |
|            | 1 .  |
|            | 1 .  |

|   |  |  |  |
|---|--|--|--|
|   |  |  |  |
| 1 |  |  |  |
| 2 |  |  |  |
| 3 |  |  |  |
| 4 |  |  |  |
| 5 |  |  |  |
| 6 |  |  |  |
| 7 |  |  |  |

