

bosal

**Инструкция
по монтажу тягово-сцепного
устройства шарового типа 2626 А
для автомобилей
FIAT DOBLO**

	2000/10-...
	1300
	50
	16



462800,

т. (35363) 7-05-06

ф. (35363) 7-13-20

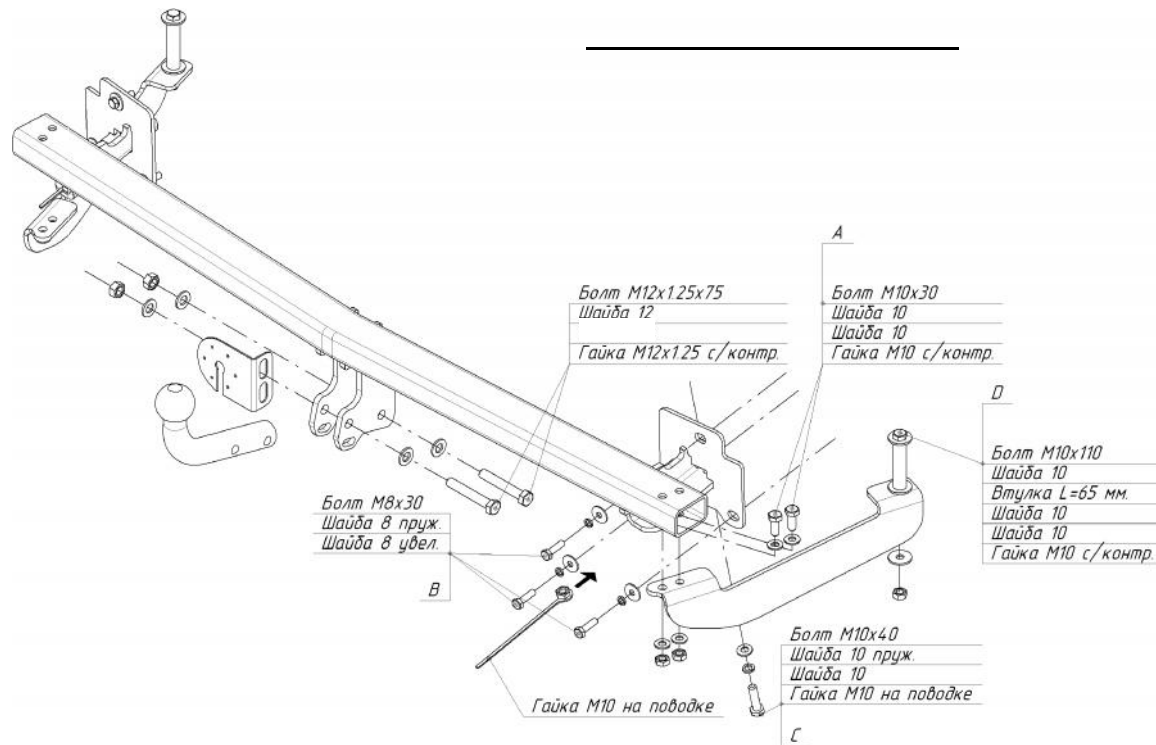
(495) 785-66-07

www.bosal-autoflex.ru

18

« - - »:	" (8182) 22-48-15
"	" 8(8442) 98-74-98
"	" 8(343) 379-39-89, 373-42-73
"	" 8(343) 26-88-308
"	" 8(3952) 710-194
"	" 8(495) 777-54-59
"	" 8(495)745-79-11
"	" 8(495) 788-95-97
"	" 8(495) 720-51-03
"	" 8(3532) 57-99-85
"	" 8-905-899-5012
"	" 8(383) 291-59-60
"	" 8(831) 279-53-24
"	" 8(3422) 98-27-20
"	" 8(342) 220-87-87
"	" 8-927-002-90-06
"	" 8(3462) 24-00-44
"	" 8(3842) 21-14-76
"	" 8-902-940-4151
"	" 8(3452) 32-22-12, 41-52-62
"	" 8-961-213-0278
"	" 8-917-347-1700
"	" 8(351) 269-44-75, 900-72-73
"	" 8(3512) 773-76-91

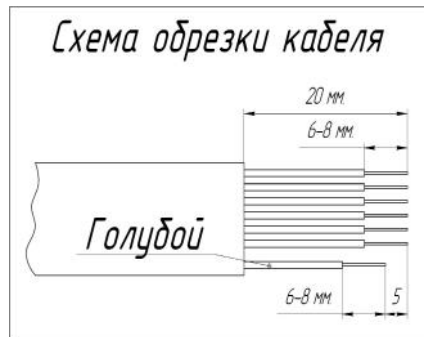
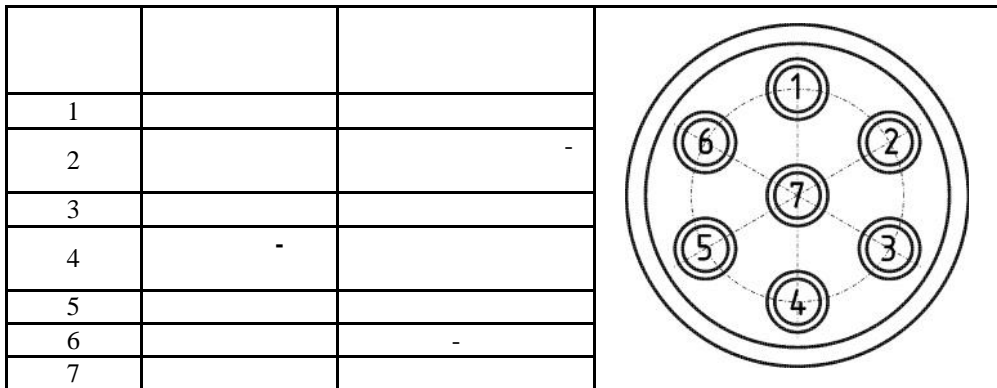
41.55-2005.



10

	1
	1
	1
	1
	1
	1

4	35	3
4		3
4		3
4		3
8	30	6
10	30	4
10	40	2
10	110	2
12	1,25 75	2
10	/	6
12	1,25 /	2
8.016		6
10.016		2
8.016		6
10.016		6
10.016		10
12.016		4
10		2
VH0149		1
65		2
		1
		1
		1



190	1
	1
	1